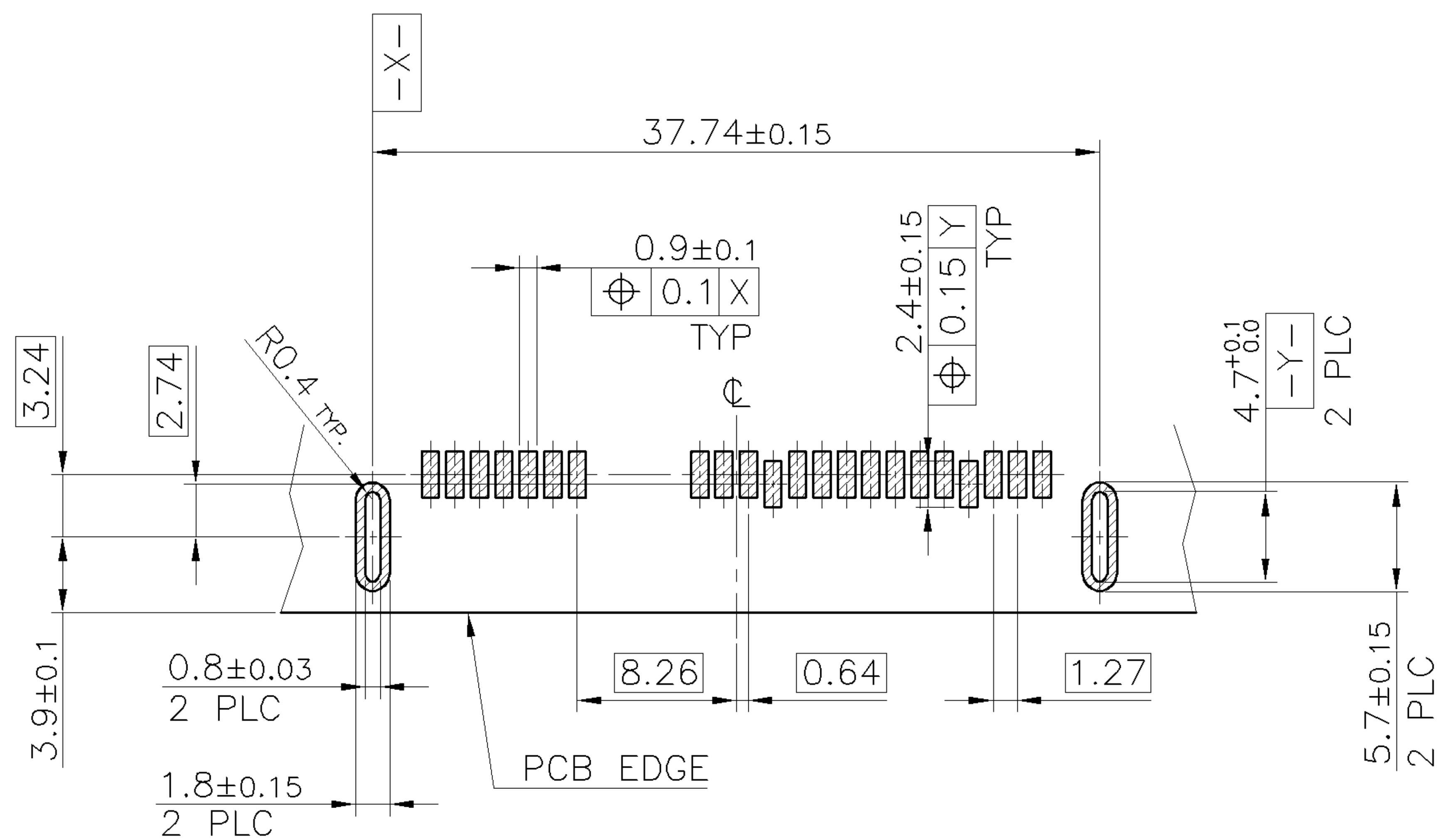
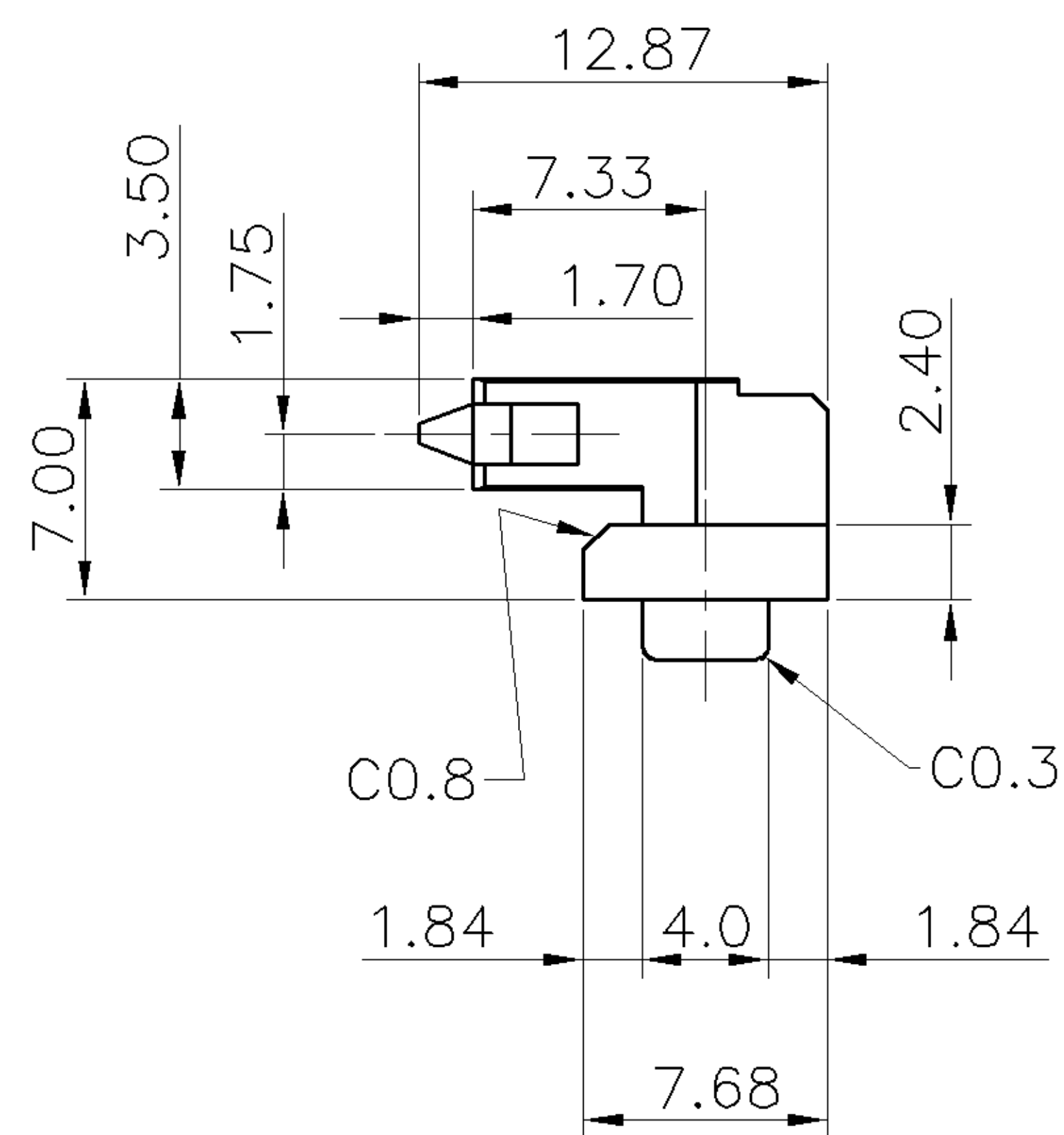
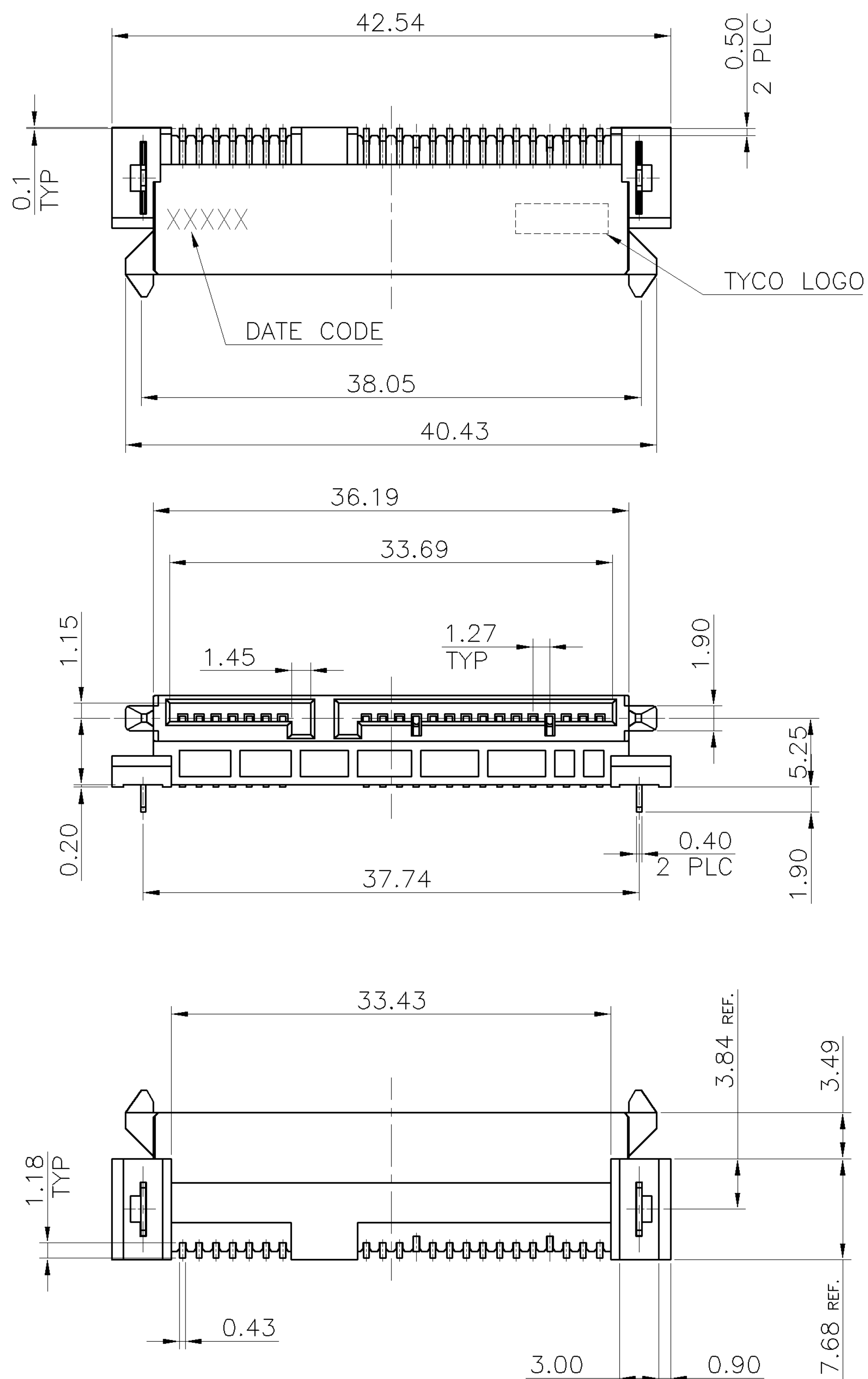


THIS INFORMATION IS CONFIDENTIAL AND IS DISCLOSED TO YOU ON CONDITION THAT NO FURTHER DISCLOSURE IS MADE BY YOU TO OTHER THAN AMP PERSONNEL WITHOUT WRITTEN AUTHORIZATION FROM AMP (TAIWAN) LTD. DIMENSIONS IN MILLIMETERS. DO NOT SCALE PRINT.

METRIC NUMBER C-1834027



RECOMMENDED P.C.B. LAYOUT (THICKNESS=1.2)

- NOTE:
- MATERIAL:
HOUSING: HIGH TEMP. THERMOPLASTIC UL 94V-0,
COLOR: BLACK.
CONTACTS: PHOSPHOR BRONZE.
BOARDLOCKS: BRASS.
 - FINISH:
CONTACTS: 20μ" MIN. GOLD PLATED ON CONTACT AREA,
GOLD FLASH ON SOLDER TAILS, WITH ENTIRE CONTACT UNDERPLATED 50μ" MIN. NICKEL.
BOARDLOCKS: 100μ" MIN. MATTE-TIN OVER 50μ" MIN. NICKEL PLATED.

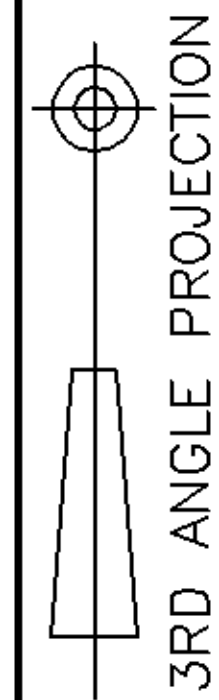
1834027-1
PART NUMBER

TOLERANCES UNLESS OTHERWISE SPECIFIED: 0 PLC ±- 1 PLC ±0.38 2 PLC ±0.25 3 PLC ±0.13 ANGLES ±3'	DWN	A. WU	TYCO HOLDINGS (BERMUDA) VII LTD. TAIWAN BRANCH Electronics NAME
	CHK	S. HOU	
MATERIAL	APVD	W.J. KE	SERIAL ATA ASSY, 22 POSITION, SMT, R/A, RVS, RECEPTACLE 5.25 CL
SEE NOTE	PRODUCT SPEC	20-SEP-2005	
FINISH	QUALIFICATION TEST REPORT	501-57587	LOC DW A ₃ DRAWING NO C-1834027 REV O
SEE NOTE	WEIGHT	2.4 g	SCALE -- SHEET 1 OF 2

AW SH	12SEP 2005			
DWN CHK	DATE			
O	FIRST RELEASED	--	AW SH	12SEP 2005
LTR	REVISION RECORD	ECN	DWN CHK	DATE

8 7 6 5 4 3 2 1 CUSTOMER DRAWING

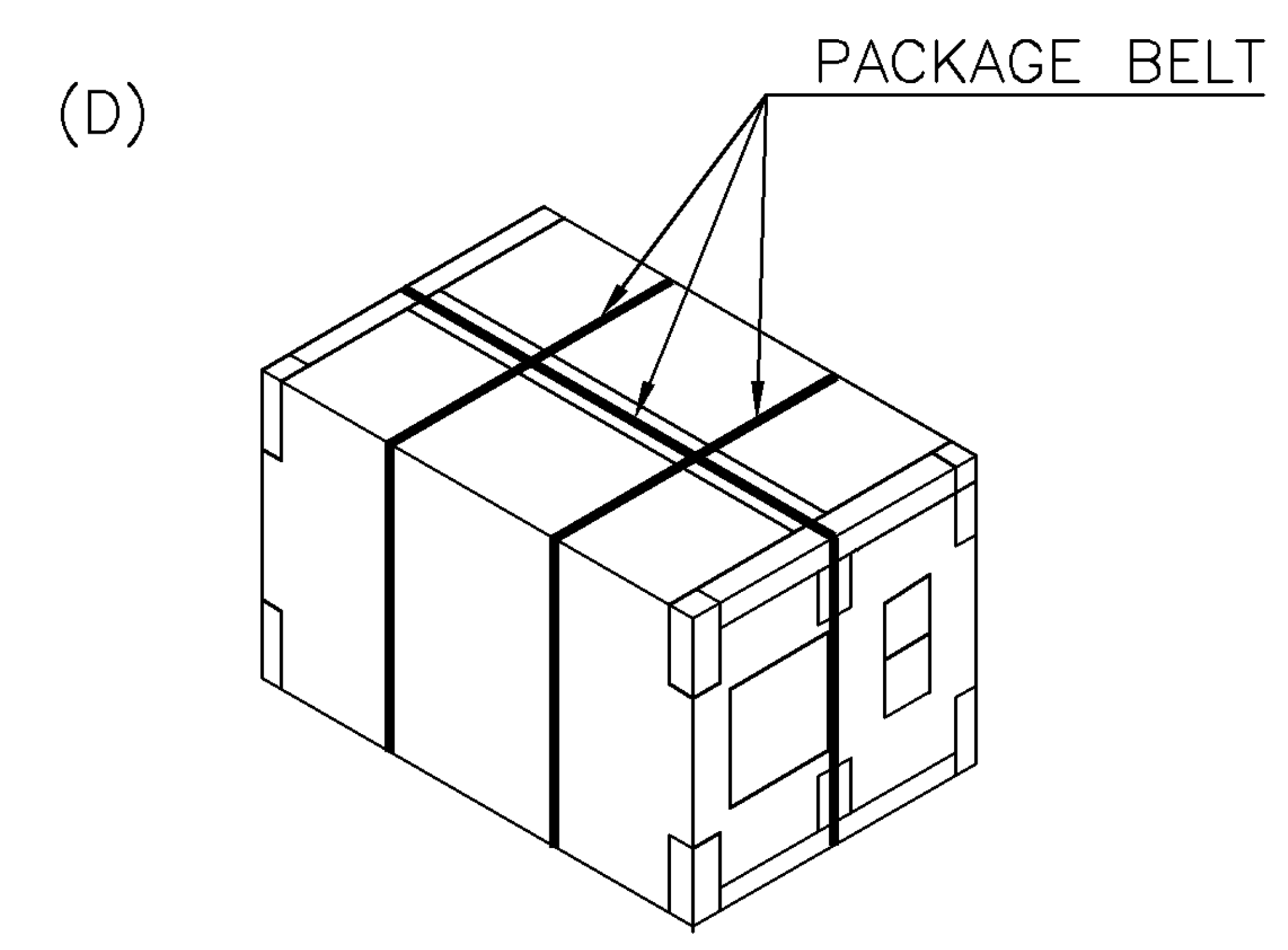
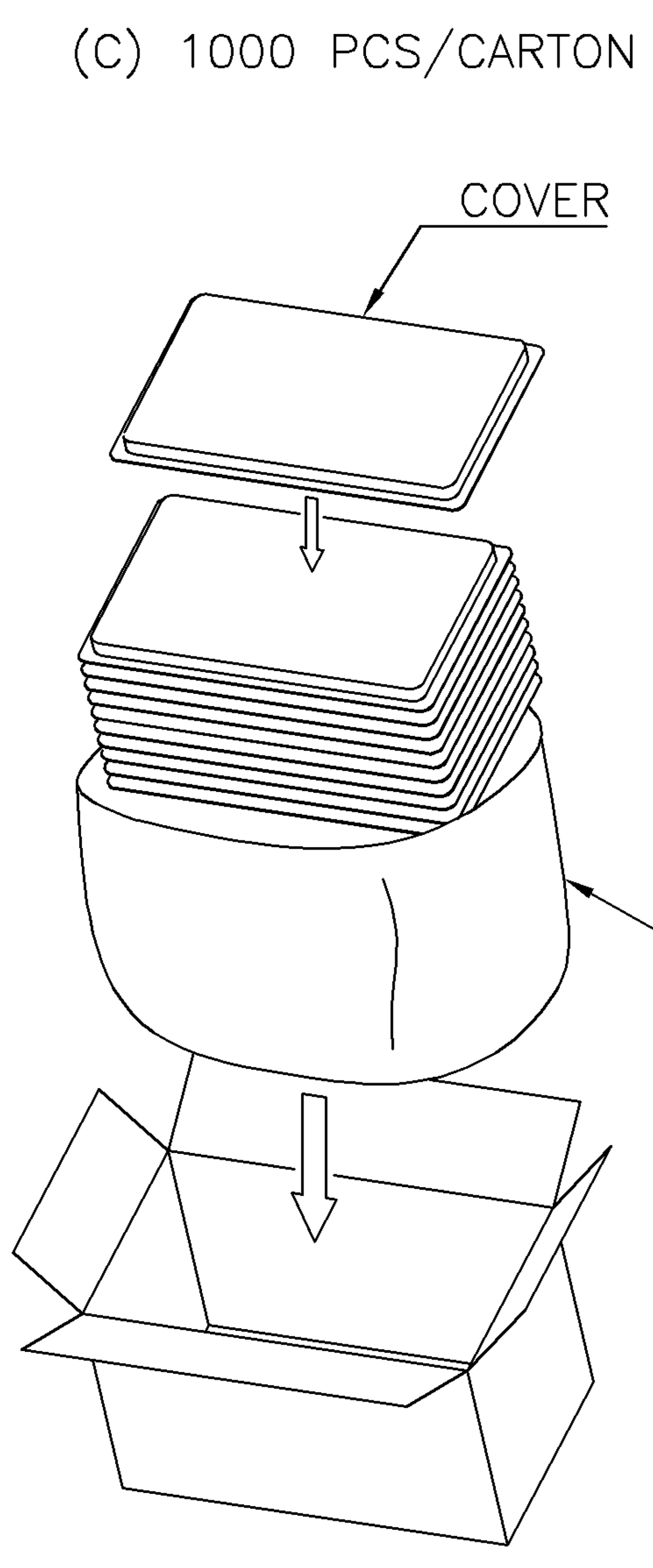
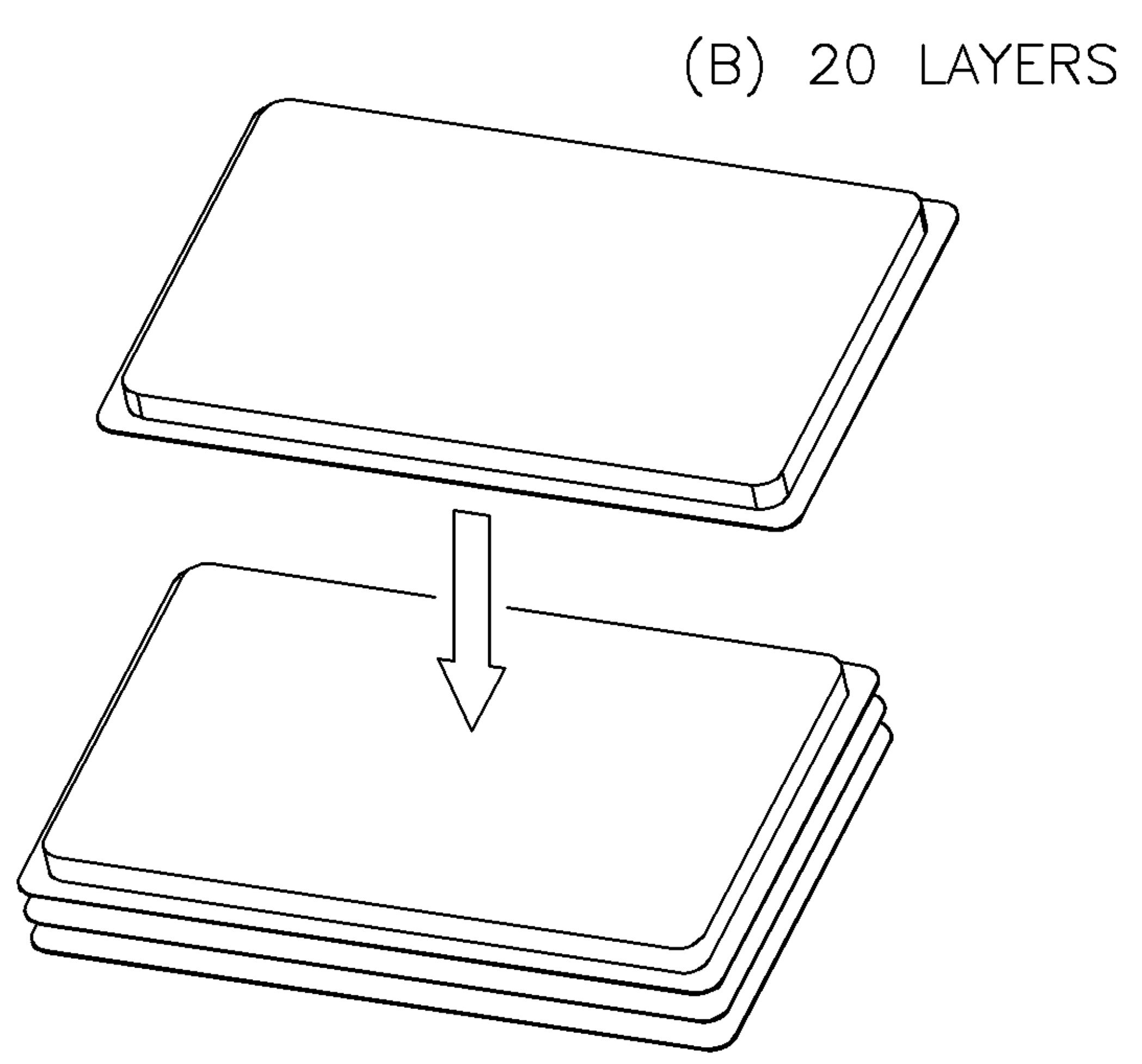
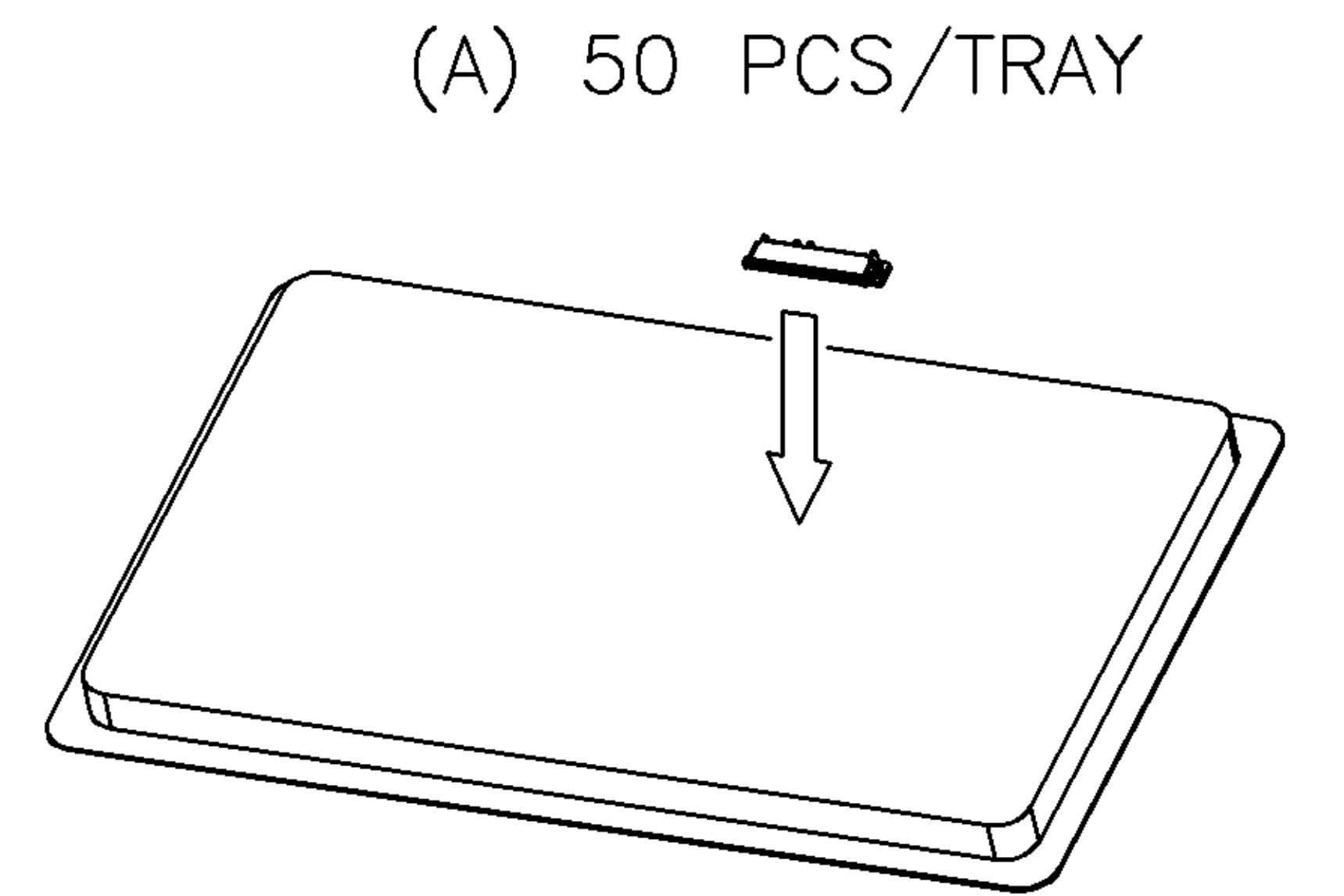
NUMBER
C-1834027



METRIC

THIS INFORMATION IS CONFIDENTIAL AND IS DISCLOSED TO YOU ON CONDITION THAT NO FURTHER DISCLOSURE IS MADE BY YOU TO OTHER THAN AMP PERSONNEL WITHOUT WRITTEN AUTHORIZATION FROM AMP (TAIWAN) LTD. DIMENSIONS IN MILLIMETERS. DO NOT SCALE PRINT.

PRINT DIST
DW



3.4 Kg	2.4 Kg	340 X 240 X 215	50	20	1000 PCS
GROSS WEIGHT	NET WEIGHT	CARTON DIMENSION	PCS/TRAY	TRAYS	QUANTITY
TOLERANCES UNLESS OTHERWISE SPECIFIED: 0 PLC ±- 1 PLC ±- 2 PLC ±- 3 PLC ±- ANGLES ±-		DWN A. WU 20-SEP-2005	tyco TYCO HOLDINGS (BERMUDA) Electronics VII LTD. TAIWAN BRANCH NAME		
MATERIAL -		APVD W.J. KE 20-SEP-2005	SERIAL ATA ASSY, 22 POSITION, SMT, R/A, RVS, RECEPTACLE 5.25 CL		
FINISH -		PRODUCT SPEC -	LOC DW	SIZE A ₃	DRAWING NO C-1834027
		APPLICATION SPEC -	SCALE --	REV O	SHEET 2 OF 2
		WEIGHT -			

SEE SHEET 1.	ECN	DWN	CHK	DATE
LTR	REVISION RECORD			

8 7 6 5 4 3 2 1 CUSTOMER DRAWING

D
C
B
A